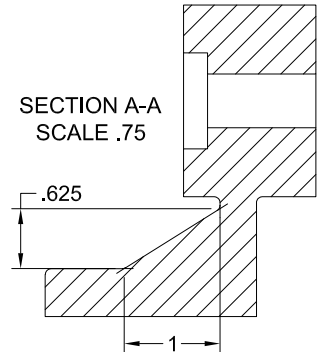
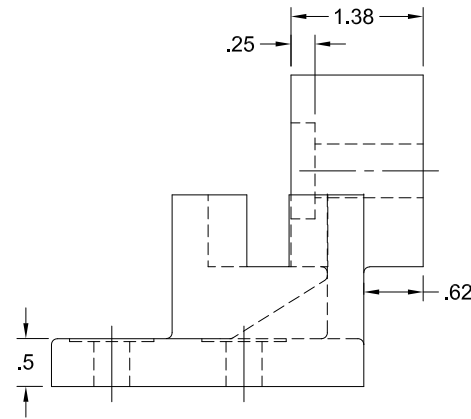
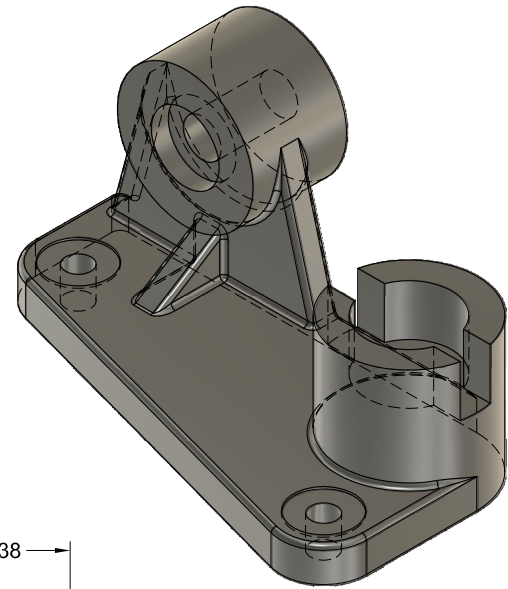



*All fillets and rounds are .0625



 AUTODESK	PROJECT			REV
	AU23 Fusion Daily Design Challenge			
APPROVED	SIZE	CODE	DWG NO	SHEET 1/1
CHECKED	B	B-52	5150-0U812	
DRAWN	LJM	11/10/2023	SCALE .75	WEIGHT

